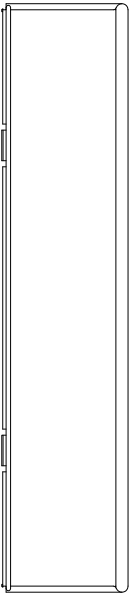
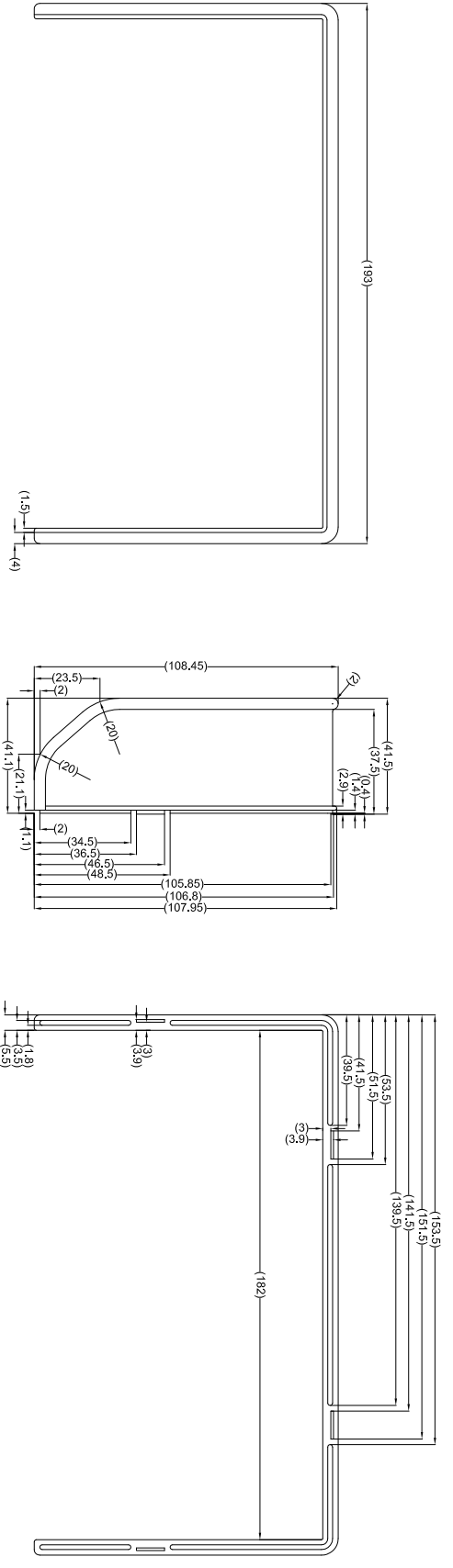
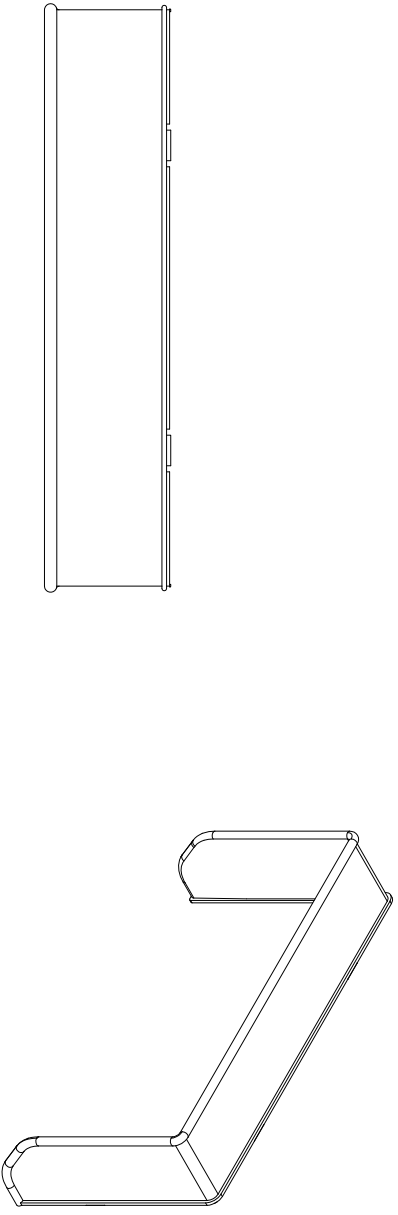


Revision Notes			
R1 - DRAWING FRAME UPDATED, DIMENSIONS MADE NOMINAL			
APR: TROY CHOI	Drawn: MBUTLER	Checked: RBATES	Approved: JOHN
			Date: 07/11/13



- NOTES:**
1. MATERIAL: ABS
 2. FINISH: SMOOTH, DARK GREY SPRAY

PROPRIETARY NOTICE
 THIS DESIGN AND TECHNICAL INFORMATION APPEARING ON THIS DRAWING IS THE PROPERTY OF BRIGADE ELECTRONICS, AND IS DISCLOSED IN CONFIDENCE. IT IS NOT TO BE COPIED, REPRODUCED, REVEALED TO OR EXPROPRIATED BY OTHERS, EITHER IN WHOLE OR IN PART WITHOUT THE EXPRESS WRITTEN CONSENT OF BRIGADE ELECTRONICS.



Assembly PI Approval TROY CHOI (07/11/13)		Approved by SMA TTHEWS		Checked by DIKERAI		Drawn by MBUTLER	
Angle of Projection 		Units mm		Scale N/A		Released 19/06/09	
Status RELEASED		Part No 3144		Assembly Ref BE-870LM-SS		Date 07/11/13	